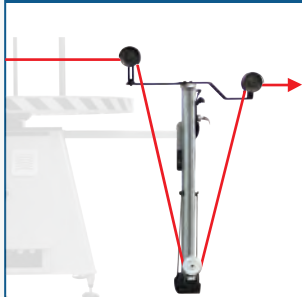


OPTIONS

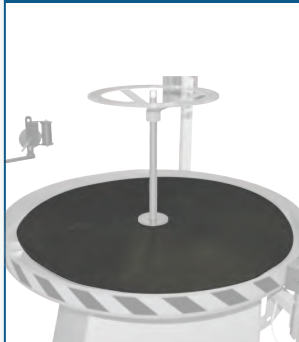
SECOND DANCER ARM FOR THIN WIRE



Zweiter Tänzerarm für dünnen Draht
2ème bras danseur pour fils fins

CODE	
ASC20-SP	NOT AVAILABLE
ASC500-SP	
ASC1000-SP	
ASC100	
ASC250	ASC-OP-02
ASC600	
ASC610	NOT AVAILABLE
ASC1000	

RUBBER MAT Ø 900 mm



Gummimatte (900 mm)
Tapis en caotchouc (900 mm)

CODE	
ASC20-SP	NOT AVAILABLE
ASC500-SP	
ASC1000-SP	
ASC100	
ASC250	ASC-OP-06
ASC600	
ASC610	NOT AVAILABLE
ASC1000	

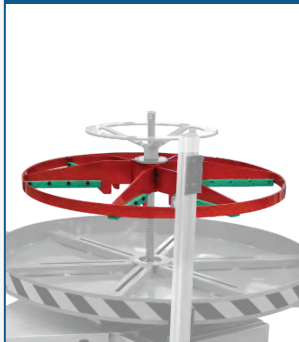
WIRE ACCUMULATOR (ONLY WITH ASC-OP-03)



Stoßdämpfer für Draht (nur mit
ASC-OP-03)
Accumulateur pour fil (uniquement
avec le ASC-OP-03)

CODE	
ASC20-SP	NOT AVAILABLE
ASC500-SP	
ASC1000-SP	
ASC100	
ASC250	ASC-OP-04
ASC600	
ASC610	NOT AVAILABLE
ASC1000	

COVER FOR Z2 SPOOL TYPE



Deckel für Spulen des Typs Z2
Cerceau pour bobines type Z2

CODE	
ASC20-SP	NOT AVAILABLE
ASC500-SP	
ASC1000-SP	
ASC100	
ASC250	ASC-OP-11
ASC600	
ASC610	NOT AVAILABLE
ASC1000	

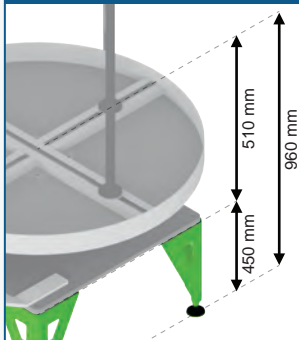
WIRE-END SENSOR



Drahtendensensor
Décteur de fin fil

CODE	
ASC20-SP	NOT AVAILABLE
ASC500-SP	
ASC1000-SP	ASC-OP-07
ASC100	
ASC250	ASC-OP-07
ASC600	
ASC610	
ASC1000	

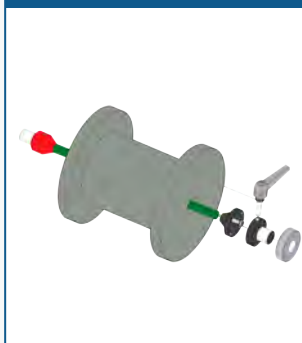
HEIGHT OF THE PLATE (+ 450 mm)



Höhe der Platte (+ 450 mm)
Haut de la table (+ 450 mm)

CODE	
ASC20-SP	NOT AVAILABLE
ASC500-SP	
ASC1000-SP	
ASC100	
ASC250	
ASC600	
ASC610	ASC-OP-08
ASC1000	

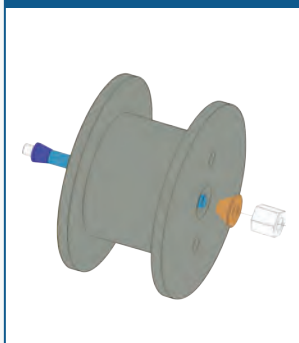
KIT FOR SMALL SPOOL



Spool center hole:
min. Ø20 mm - max. Ø33 mm
Spool length:
min. 50 mm - max. 250 mm

CODE	
ASC20-SP	NOT AVAILABLE
ASC500-SP	
ASC1000-SP	
ASC100	ASC-OP-13
ASC250	
ASC600	NOT AVAILABLE
ASC610	
ASC1000	

KIT FOR DIN355 SPOOL



Spool center hole:
min. Ø30 mm - max. Ø58 mm
Spool length:
min. 60 mm - max. 200 mm

CODE	
ASC20-SP	NOT AVAILABLE
ASC500-SP	
ASC1000-SP	
ASC100	ASC-OP-14
ASC250	
ASC600	NOT AVAILABLE
ASC610	
ASC1000	

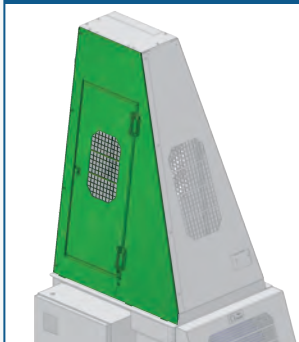
ADDITIONAL COMPLETE SHAFT



Zusätzliche komplette Zentrale-Welle
Arbre complet supplémentaire

CODE	
ASC20-SP	NOT AVAILABLE
ASC500-SP	
ASC1000-SP	ASC-OP-19
ASC100	
ASC250	NOT AVAILABLE
ASC600	
ASC610	
ASC1000	

SECOND OPENABLE LEFT SIDE DOOR



Zweite Türe, die von der linke Seite
geöffnet werden kann
Deuxième porte latérale qui peut être
ouverte

CODE	
ASC20-SP	NOT AVAILABLE
ASC500-SP	
ASC1000-SP	ASC-OP-21
ASC100	
ASC250	NOT AVAILABLE
ASC600	
ASC610	
ASC1000	

SPOOL DRIVE



Spulenantrieb
Commande bobine

CODE	
ASC20-SP	ASC-OP-22
ASC500-SP	NOT AVAILABLE
ASC1000-SP	
ASC100	
ASC250	
ASC600	
ASC610	
ASC1000	

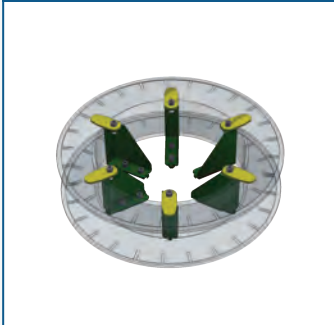
KIT FOR WIRE ON PAY-OFF FOR STRIPS



Kit für Draht auf Flachdraht Haspeln
Kit pour fil sur dévidoir pour feuillards

CODE	
ASC20-SP	NOT AVAILABLE
ASC500-SP	
ASC1000-SP	
ASC100	
ASC250-10-V4	ASC-OP-23
ASC250-12-V4	NOT AVAILABLE
ASC600	
ASC610	
ASC1000	

KIT FOR SK460 SPOOL



ASC-OP-15



ASC-OP-16



ASC-OP-17

Kit für SK460 Bünde
Kit pour bobine SK460

CODE	
ASC20-SP	ASC-OP-16
ASC500-SP	ASC-OP-17
ASC1000-SP	NOT AVAILABLE
ASC100	ASC-OP-15
ASC250	NOT AVAILABLE
ASC600	
ASC610	
ASC1000	

FIXING ROD



ASC-OP-01



ASC-OP-05 / ASC-OP-09

Befestigungsgewindestange
Broche de centrage

CODE	
ASC20-SP	NOT AVAILABLE
ASC500-SP	
ASC1000-SP	
ASC100	ASC-OP-01
ASC250	ASC-OP-05
ASC600	
ASC610	
ASC1000	ASC-OP-09

DOUBLE WIRE TURN ON THE MAIN ARM



ASC-OP-03

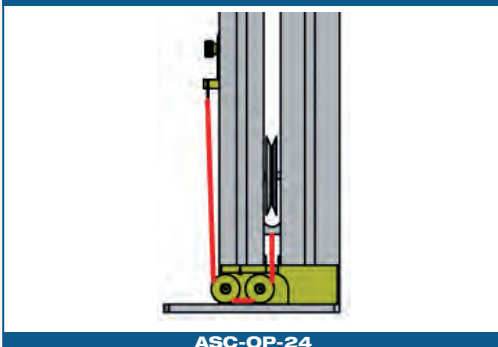


ASC-OP-20

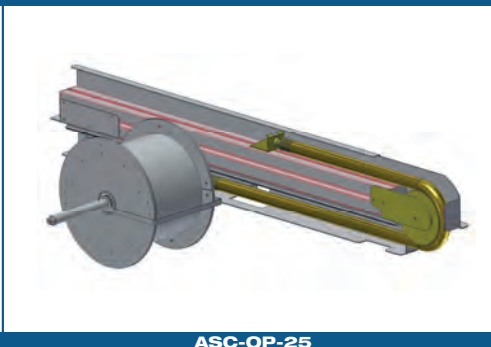
Doppelte Drahtdrehung auf Haupttänzer
Boucle double sur le bras passe fil principal

CODE	
ASC20-SP	NOT AVAILABLE
ASC500-SP	
ASC1000-SP	
ASC100	
ASC250	ASC-OP-03
ASC600	
ASC610	
ASC1000-14-V1	ASC-OP-20
ASC1000-14-V2	

TENSION SPRING



ASC-OP-24



ASC-OP-25

Zugfeder
Ressort de tension

CODE	
ASC20-SP	ASC-OP-24
ASC500-SP	NOT AVAILABLE
ASC1000-SP	
ASC100	
ASC250	
ASC600	
ASC610	
ASC1000	
ASC1000-TP	ASC-OP-25