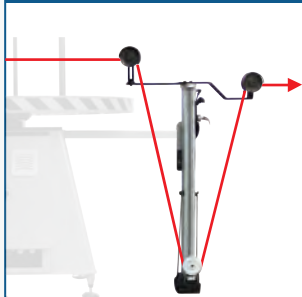


## OPTIONS

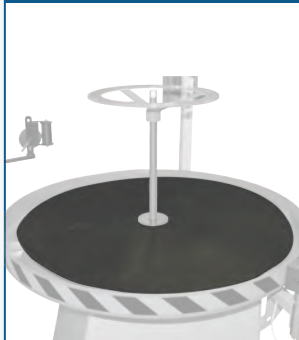
## SECOND DANCER ARM FOR THIN WIRE



Secondo ballerino per fili sottili  
Segundo bailarín para hilos finos

CODE	
ASC20-SP	NOT AVAILABLE
ASC500-SP	
ASC1000-SP	
ASC100	
ASC250	ASC-OP-02
ASC600	
ASC610	NOT AVAILABLE
ASC1000	

## RUBBER MAT Ø 900 mm



Tappeto di gomma ø 900 mm  
Cinta de goma ø 900 mm

CODE	
ASC20-SP	NOT AVAILABLE
ASC500-SP	
ASC1000-SP	
ASC100	
ASC250	ASC-OP-06
ASC600	
ASC610	NOT AVAILABLE
ASC1000	

## WIRE ACCUMULATOR (ONLY WITH ASC-OP-03)



Ammortizzatore per filo (solo con ASC-OP-03)  
Amortiguador (solo con ASC-OP-03)

CODE	
ASC20-SP	NOT AVAILABLE
ASC500-SP	
ASC1000-SP	
ASC100	
ASC250	ASC-OP-04
ASC600	
ASC610	NOT AVAILABLE
ASC1000	

## COVER FOR Z2 SPOOL TYPE



Coperchio per bobine di tipo Z2  
Tapa para bobinas de tipo Z2

CODE	
ASC20-SP	NOT AVAILABLE
ASC500-SP	
ASC1000-SP	
ASC100	
ASC250	ASC-OP-11
ASC600	
ASC610	NOT AVAILABLE
ASC1000	

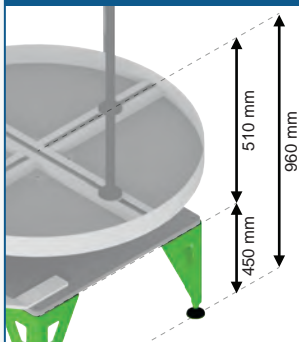
## WIRE-END SENSOR



Sensore di fine filo  
Sensor del fin del alambre metálico

CODE	
ASC20-SP	NOT AVAILABLE
ASC500-SP	
ASC1000-SP	ASC-OP-07
ASC100	NOT AVAILABLE
ASC250	ASC-OP-07
ASC600	
ASC610	
ASC1000	

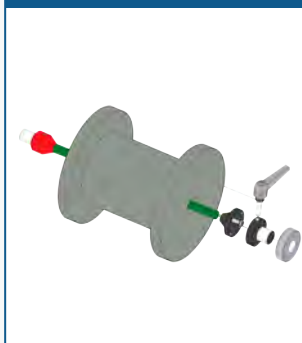
## HEIGHT OF THE PLATE (+ 450 mm)



Rialzo del piatto (+ 450 mm)  
Alto de la mesa (+ 450 mm)

CODE	
ASC20-SP	NOT AVAILABLE
ASC500-SP	
ASC1000-SP	
ASC100	
ASC250	
ASC600	
ASC610	ASC-OP-08
ASC1000	

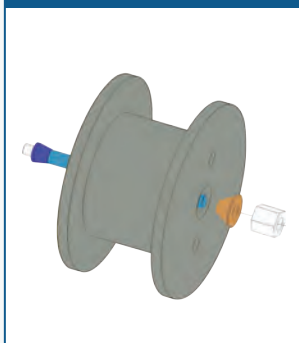
## KIT FOR SMALL SPOOL



Spool center hole:  
min Ø20 mm - max Ø33 mm  
Spool length:  
min 50 mm - max 250 mm

CODE	
ASC20-SP	NOT AVAILABLE
ASC500-SP	
ASC1000-SP	
ASC100	ASC-OP-13
ASC250	NOT AVAILABLE
ASC600	
ASC610	
ASC1000	

## KIT FOR DIN355 SPOOL



Spool center hole:  
min Ø30 mm - max Ø58 mm  
Spool length:  
min 60 mm - max 200 mm

CODE	
ASC20-SP	NOT AVAILABLE
ASC500-SP	
ASC1000-SP	
ASC100	ASC-OP-14
ASC250	NOT AVAILABLE
ASC600	
ASC610	
ASC1000	

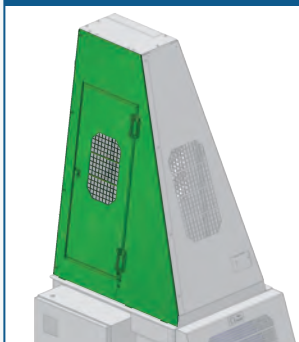
## ADDITIONAL COMPLETE SHAFT



Albero completo aggiuntivo  
Eje completo adicional

CODE	
ASC20-SP	NOT AVAILABLE
ASC500-SP	ASC-OP-19
ASC1000-SP	NOT AVAILABLE
ASC100	
ASC250	
ASC600	
ASC610	
ASC1000	

## SECOND OPENABLE LEFT SIDE DOOR



Seconda porta apribile su lato sinistro  
Segunda puerta lateral izquierda abatible

CODE	
ASC20-SP	NOT AVAILABLE
ASC500-SP	ASC-OP-21
ASC1000-SP	NOT AVAILABLE
ASC100	
ASC250	
ASC600	
ASC610	
ASC1000	

### SPOOL DRIVE



Trascinatore rocchetto  
Conductor de carrete

CODE	
<b>ASC20-SP</b>	<b>ASC-OP-22</b>
ASC500-SP	NOT AVAILABLE
ASC1000-SP	
ASC100	
ASC250	
ASC600	
ASC610	
ASC1000	

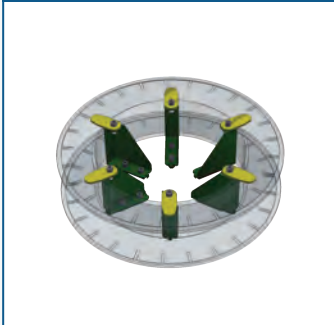
### KIT FOR WIRE ON PAY-OFF FOR STRIPS



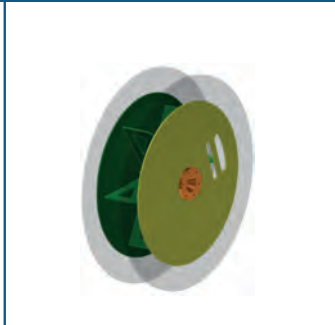
Kit per filo su svolgitori per piattine  
Kit para hilo en desbobinadores para fleje

CODE	
ASC20-SP	NOT AVAILABLE
ASC500-SP	
ASC1000-SP	
ASC100	
<b>ASC250-10-V4</b>	<b>ASC-OP-23</b>
<b>ASC250-12-V4</b>	
ASC600	NOT AVAILABLE
ASC610	
ASC1000	

### KIT FOR SK460 SPOOL



ASC-OP-15



ASC-OP-16



ASC-OP-17

Kit per bobine SK460  
Kit para carrete SK460

CODE	
ASC20-SP	<b>ASC-OP-16</b>
ASC500-SP	<b>ASC-OP-17</b>
ASC1000-SP	NOT AVAILABLE
ASC100	<b>ASC-OP-15</b>
ASC250	NOT AVAILABLE
ASC600	
ASC610	
ASC1000	

### FIXING ROD



ASC-OP-01

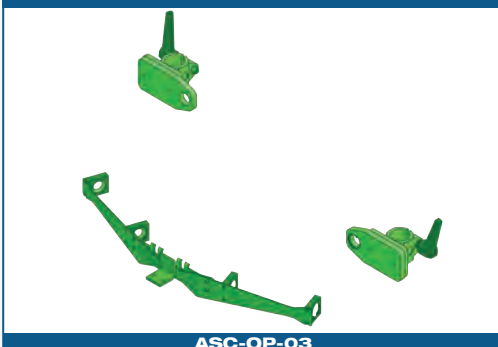


ASC-OP-05 / ASC-OP-09

Tirante di fissaggio  
Tirante de fijado

CODE	
ASC20-SP	NOT AVAILABLE
ASC500-SP	
ASC1000-SP	
ASC100	<b>ASC-OP-01</b>
ASC250	<b>ASC-OP-05</b>
ASC600	
ASC610	<b>ASC-OP-09</b>
ASC1000	

### DOUBLE WIRE TURN ON THE MAIN ARM



ASC-OP-03

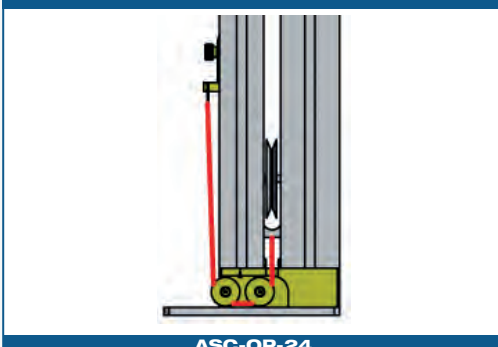


ASC-OP-20

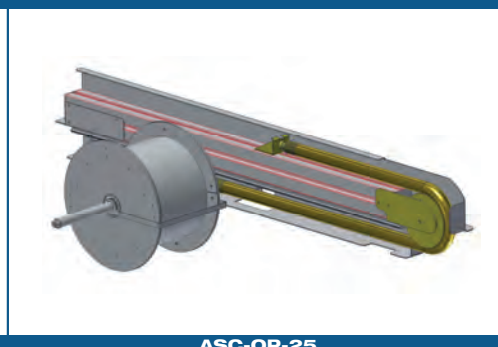
Doppio passafilo su ballerino principale  
Doble pasahilo en bailarín principal

CODE	
ASC20-SP	NOT AVAILABLE
ASC500-SP	
ASC1000-SP	
ASC100	
ASC250	<b>ASC-OP-03</b>
ASC600	
ASC610	<b>ASC-OP-20</b>
ASC1000-14-V1	
ASC1000-14-V2	

### TENSION SPRING



ASC-OP-24



ASC-OP-25

Molla tensionatrice  
Resorte de tensión

CODE	
ASC20-SP	<b>ASC-OP-24</b>
ASC500-SP	NOT AVAILABLE
ASC1000-SP	
ASC100	
ASC250	
ASC600	
ASC610	
ASC1000	
ASC1000-TP	<b>ASC-OP-25</b>