

# ASC100

The flexible solution

La soluzione flessibile

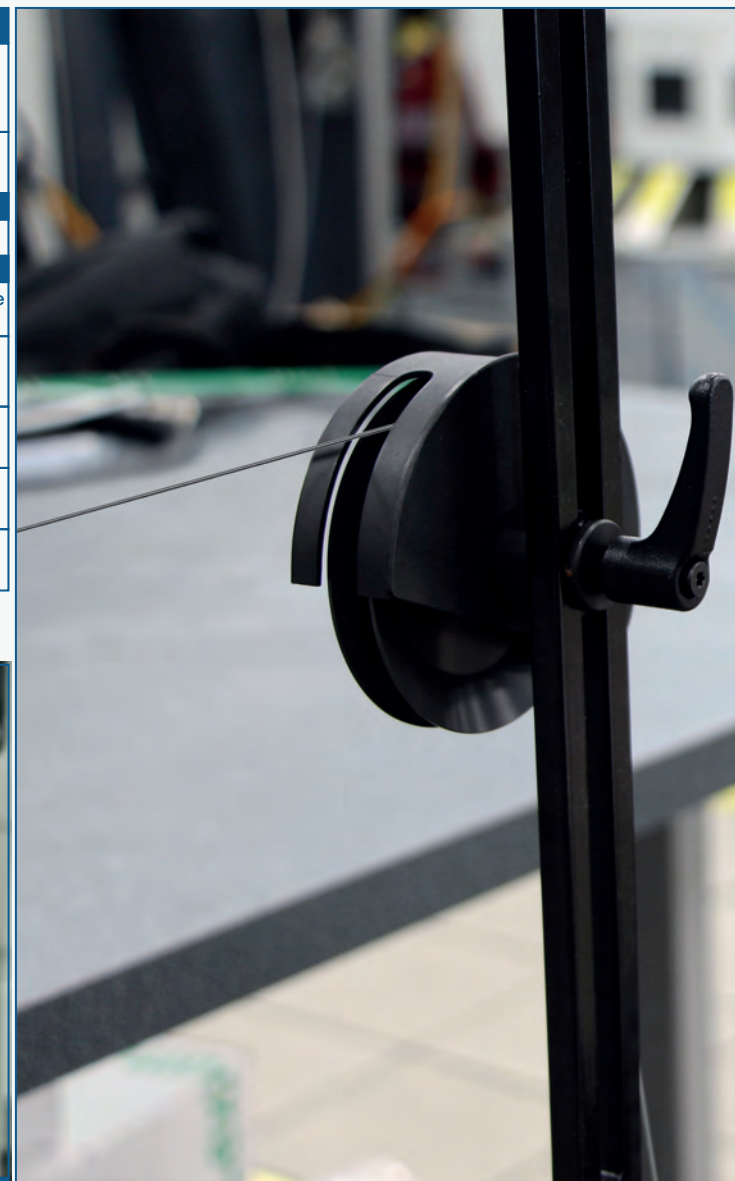
La solución flexible

AVAILABLE MODELS	ASC100-06-V1	ASC100-08-V1	ASC100-Cu
Features Caratteristiche Características	• Self adjustable in 4 conf.		<ul style="list-style-type: none"> <li>• Self adjustable in 2 conf.</li> <li>• Large pulley</li> <li>• Without wire support</li> </ul>
Recommended for wire* Raccomandato per filo* Recomendado para hilo*	Conf. B + C: $\varnothing 0,1 \div 1 \text{ mm}$ ( $\varnothing .004 \div .04''$ ) Conf. A + D: $\varnothing 0,1 \div 0,8 \text{ mm}$ ( $\varnothing .004 \div .03''$ )		$\varnothing 0,1 \div 2,5 \text{ mm}$ ( $\varnothing .004 \div .09''$ ) Copper and aluminium wire
Capacity Capacità di carico Capacidad de carga	<b>CONFIGURATION A AND B</b>		<b>HORIZONTAL PLATE</b>
	100 Kg (220 lb)		100 Kg (220 lb)
	<b>CONFIGURATION C AND D</b>		<b>VERTICAL PLATE</b>
	100 Kg for spools up to 50 mm wide (220 lb - 1.96'')		50 Kg for spools from 51 up to 200 mm wide (110 lb - from 2 up to 7.87'')
$\varnothing$ Plate $\varnothing$ Piatto $\varnothing$ Plato	$\varnothing 620 \text{ mm flat}$ ( $\varnothing 24.4''$ )	$\varnothing 800 \text{ mm}$ with / without 15 mm border ( $\varnothing 31.5'' - .6''$ )	$\varnothing 620 \text{ mm flat}$ ( $\varnothing 24.4''$ )
Plate orientation Orientamento del piatto Orientación del plato	Horizontal / Vertical		
Inside bundle diameter Diametro interno matassa Diámetro interior madeja	$\varnothing 140 \div 450 \text{ mm}$ ( $\varnothing 5.5 \div 17.7''$ )	$\varnothing 200 \div 640 \text{ mm}$ ( $\varnothing 7.8 \div 25.2''$ )	$\varnothing 140 \div 450 \text{ mm}$ ( $\varnothing 5.5 \div 17.7''$ )
Max speed Velocità max Velocidad máxima	120 rpm		125 rpm

\*MicroStudio also has a ASC100 model for flat strips up to 14 mm wide, with a plate diameter of 620 or 800 mm

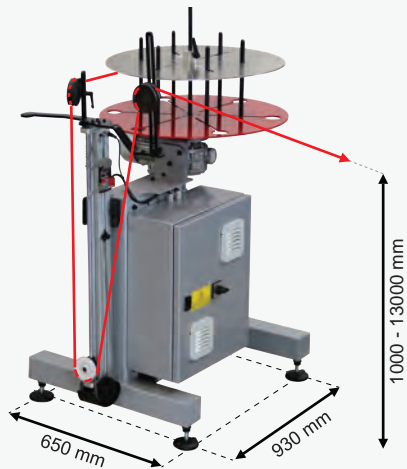
\*MicroStudio ha anche un modello di ASC100 per nastri e piattine fino a 14 mm di larghezza ed un diametro del piatto di 620 o 800 mm

\*MicroStudio también tiene un modelo de ASC100 para fleje hasta 14 mm de ancho y un diámetro del plato de 620 o 800 mm

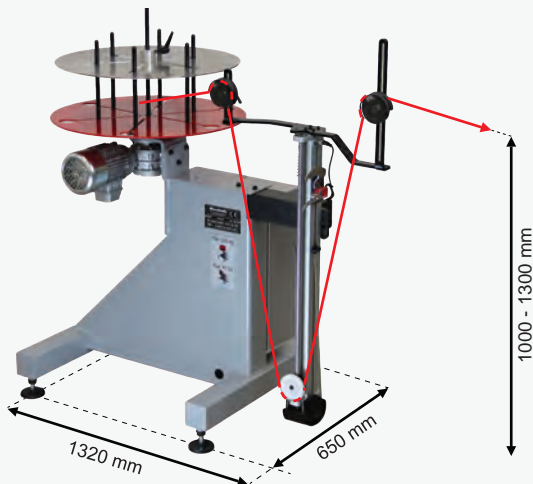


**ASC100-06-V1 / ASC100-08-V1**

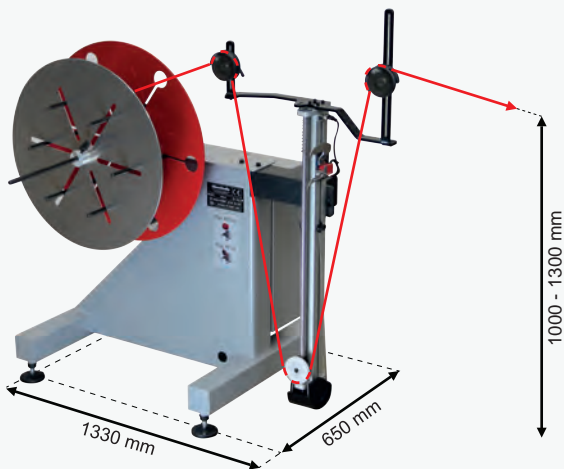
**CONFIGURATION A**  
REDUCED DIMENSIONS



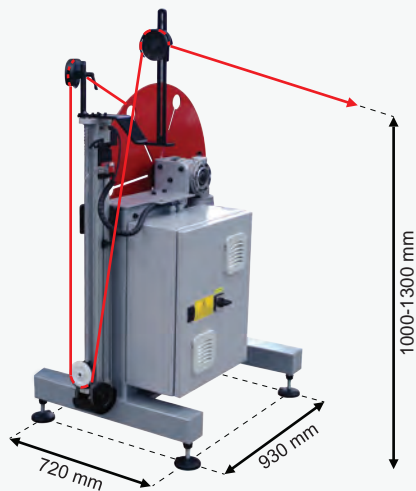
**CONFIGURATION B**  
EVER FOR THICKER WIRE



**CONFIGURATION C**  
RECOMMENDED FOR SMALL SPOOLS

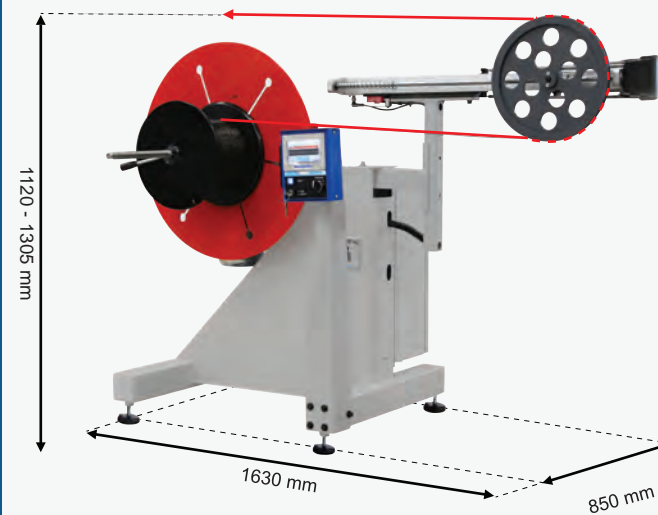


**CONFIGURATION D**  
REDUCED DIMENSIONS



**ASC100-Cu**

**CONFIGURATION A**



**CONFIGURATION B**

