

Paint marking station for cylindrical or nearly cylindrical compression springs

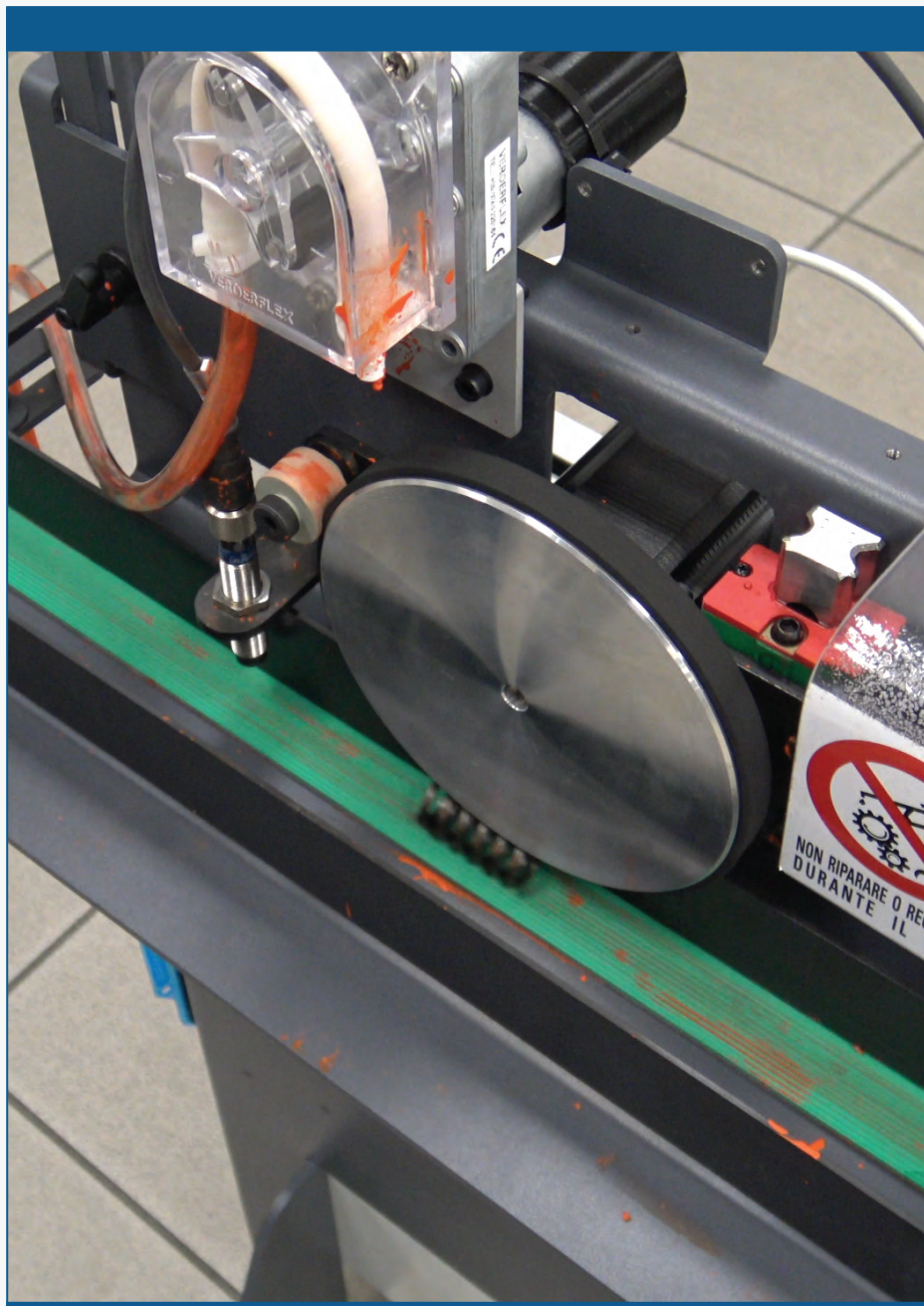
圆柱弹簧油印机

VAS FEATURES 特性

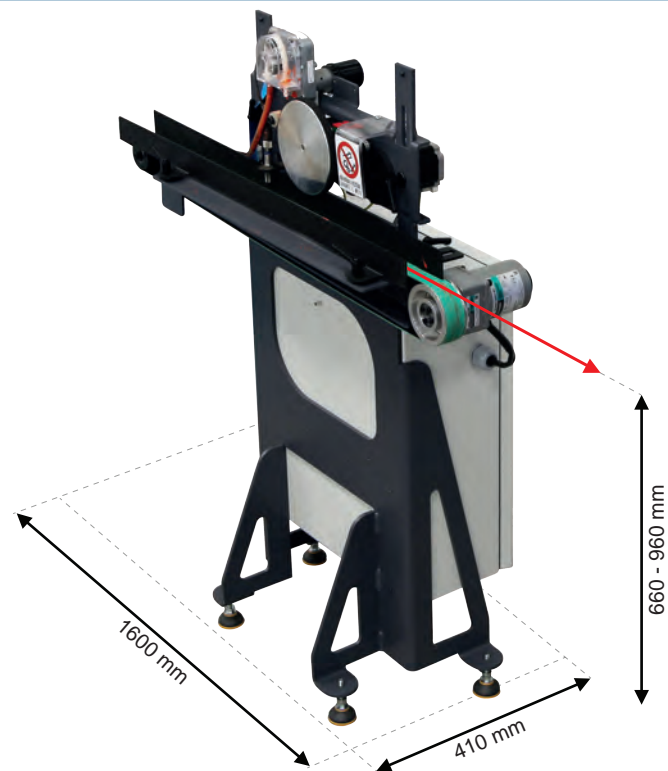
- Adjustable length of the marking and of the quantity of paint
 - Conveyor belt with adjustable speed
 - Extremely versatile: the VAS is adjustable both in height and in inclination
 - Simple maintenance and cleaning of the system
 - Compatible with all the models of MC54 and RDZ
- 可调节标记长度
 - 可调节输送带速度
 - 可调节高度和倾斜度
 - 维护、清洁简便
 - 与所有MC54和RDZ型号兼容

AVAILABLE MODELS 型号	VAS03
External diameter 外径	From 12 up to 80 mm (.47 - 3.15")
Minimum spring length 最小弹簧长度	20 mm (.78")
Maximum spring length 最大弹簧长度	250 mm (9.85")
Length / external diameter ratio 长度/外径比	> 1.8
Typical production speed 速度	5000 pcs/h with a spring length of 80 mm





VAS03



COMPATIBLE WITH ALL THE MODELS OF RDZ AND MC54

